

|                             |  |
|-----------------------------|--|
| related test method         | <b>EN 1363-1</b>                                 |
| subject                     | <b>Discontinuity – different interpretations</b> |
| reference of original query | <b>Helpdesk item 2013-08 EGOLF TC2 N702</b>      |

---

### Problem

How to deal with the position of unexposed face thermocouple at the position of underlying board joints or other non-visible discontinuities.

### Information from European Standards:

#### 1) EN 1363-1:2012

3.1.5 discontinuity: interruption in the construction associated with a change in material or a joint.

Note 1 to entry: Examples of discontinuities are the joint between two adjacent boards in a partition, or the joint between one type of construction and another, such as the joint between a partition and a doorset or the joint between a partition and a glazed area within it.

#### 2) EN 1363-1:2012

9.1.2.3 Maximum unexposed face temperature

... When positioning a thermocouple near a discontinuity, e.g. between adjacent panels in a wall, the centre of the disc shall not be placed closer than 20 mm to the discontinuity. ...

#### 3) EN 1364-1:1999 and prEN 1364-1:2012

Figure 7 shows the position of unexposed face thermocouples. These have to be placed on a distance of 20 mm from a visible board joint and in front of a non-visible underlying board joint from a multilayer system.

### Recommendation

On the Egolf meeting in Derio, Spain from October 2013, it was agreed that the definition of interruption to be used is the visible interruption, i.e. what you can see on the surface of the test specimen. The 20 mm rule is only to be used for visible interruptions.

The correct way of mounting of the unexposed face thermocouples on multiple board systems is thus in front of a non-visible underlying board joint in accordance with figure 1 below.

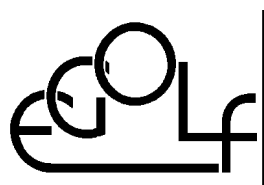
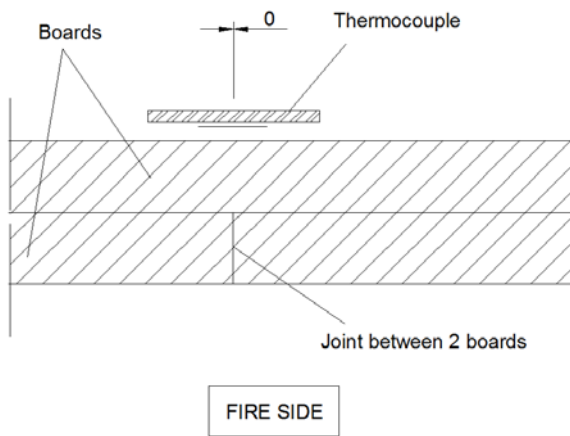


Figure 1:



When a cover strip or profile is wider than 12 mm, the unexposed face thermocouple on single and multiple board systems shall be mounted on the cover strip or in the profile on the surface, in front of a non-visible underlying board joint i.e. in accordance with figures 2 and 3 below. When the width of the profile is between 12 and 30 mm, the edges of the insulating pad must be cut off.

Figure 2:

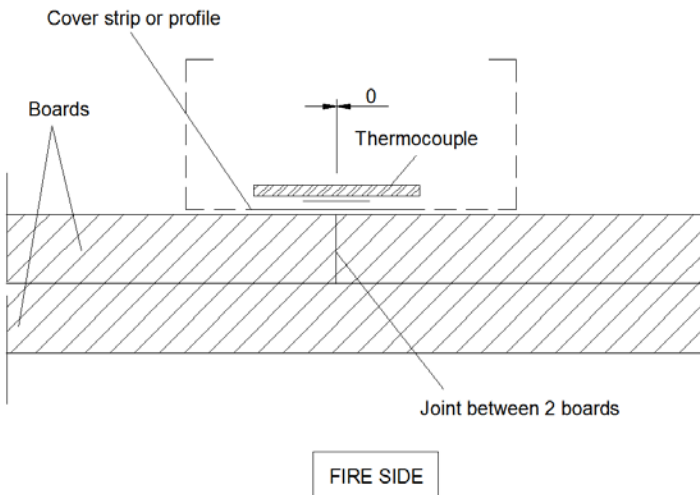
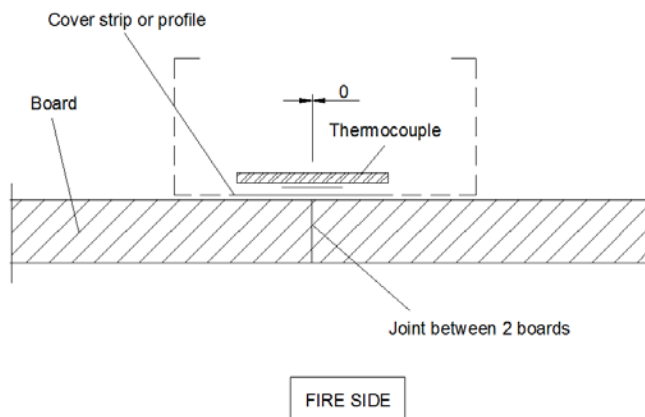



Figure 3:



 = Unexposed face thermocouple (d. 12 mm disc) + insulation pad