

EGOLF AGREEMENT 018-2016

Subject of Agreement	System chimneys with plastic flue liners
Related test standard	EN 13823
Date of issue	2012
Reference original query	TC1 N480 (problem 1) & N484 (problem 2)
Previous publication number (if applicable)	EGR 70
Keywords (max. 20)	chimney, plastic, flue, liner, burner, free, standing

Problem 1

Customers (producers of plastic flue liners) require classification according to EN13501-1.

CUAP 08.02/25 CUAP - KIT CONSISTING OF CHIMNEY FLUE LINER, MADE OF GLASS FIBRES, MINERAL AND ORGANIC SUBSTANCES, AND ANCILLARIES (4th Draft February 2012) prescribes « *For system 1-3-4 for reaction to fire the equivalent clauses to those in EN 14471 apply* ». (3.1.) and « *Classification of reaction to fire for the individual components and the assembled kit* » (3.3.)

Draft prEN 14471 says : « 3.33 reaction to fire
response of a product in contributing by its own decomposition to a fire to which it is exposed, under specified conditions [3.1.14 of EN 13501-1: 2002] »

« 7.7.8 Reaction to fire

Test as specified in EN 13501-1:2002 clause 8 as a function of the classification have to be applied.

The test specimens for all tests shall be sections of the system chimney representing the minimum and maximum wall thickness.

The test specimens for the SBI test in accordance with EN 13823 and the ignitability test in accordance with ISO 11925-2 shall be mounted vertical in a test corner with a distance to the test corner walls of 25 mm with a tolerance of ± 5 mm, using wall brackets according to the specification of the manufacturer. The wall brackets shall fit each section on the top and on the bottom.

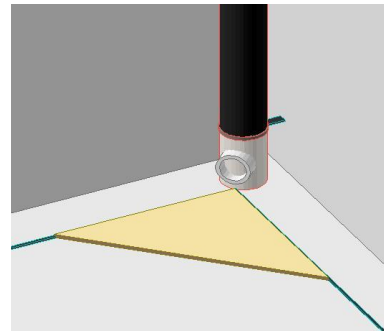
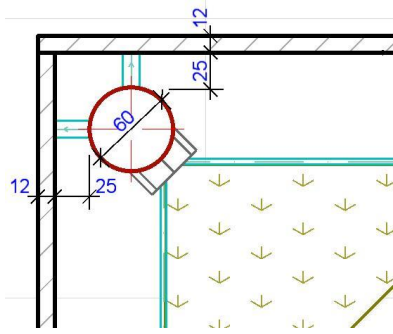
If required for the classification of EN 13501-1 the ignitability test shall be done by flame exposure at the bottom edge and flame exposure on the surface. The test specimens shall be mounted with a distance of 100 – 150 mm to the ground. »

There is no figure or description of the SBI test specimen. There are two sentences which are open to misinterpretation: There is no test corner in accordance with ISO 11925-2 and it is also unnecessary to define the distance of 100 – 150 mm to the ground in the ignitability test.

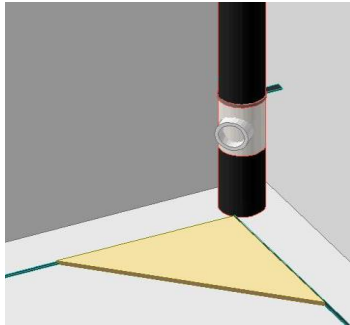
Examples of the situations of assembled kit in the SBI:

1. version

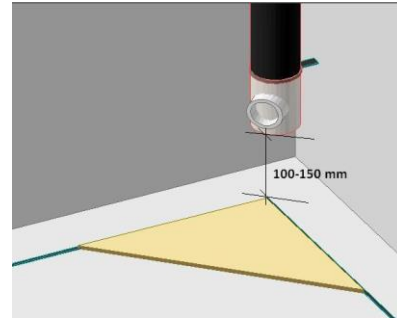
1. version/a



1. version/b

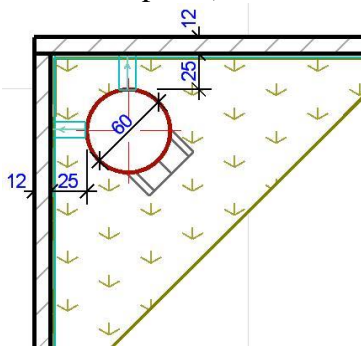


1. version/c



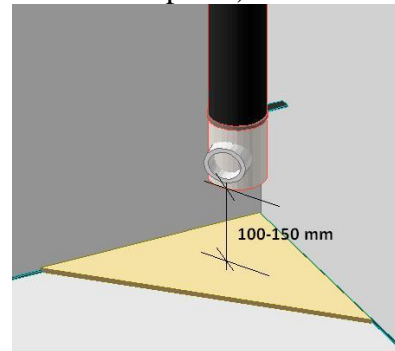
2. version

(the whole plastic liner above the main burner, the test corner walls – substrate - next to the U profil)



2. version

(the whole plastic liner above the main burner, the test corner walls – substrate - next to the U profil)



Problem 2

Several doubts have been raised about the mounting and fixing of PP/PVC chimneys used as construction material.

No figures or schema are available where an explanation is laid down how to perform the test on the SBI. In the pictures below, examples of these plastic ducts are found.



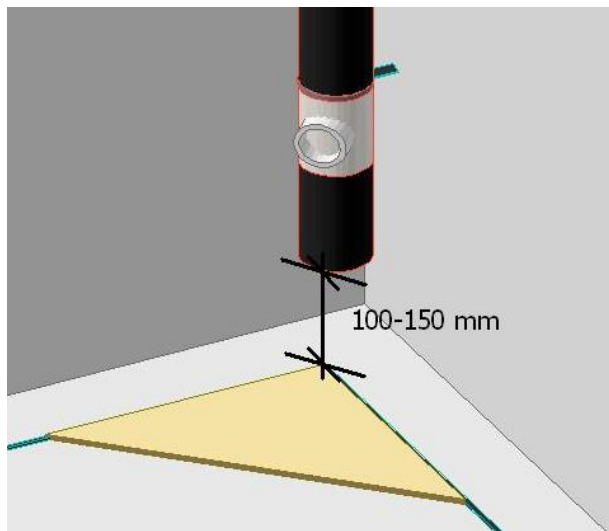
Agreement

Only one PVC plastic flue liner has to be tested vertically in a test corner as a free standing position with both circular and rectangular sections

Version 2 is excluded immediately since this mounting and fixing solution is against the testing rules laid in EN 13823 standard: *'a product shall not extend over the burner'*.

A combination of 1. version/b and c was proposed and accepted, namely to use the position in the SBI according to 1. version/c and to use the profile shown in 1. version/b on the plastic flue liner.

The TC1 task group agreed on the following version:



Classification is not agreed by the TC1 task group.